

MICRO SWITCH

FREEPORT ILLINOIS, U.S.A.
A DIVISION OF HONEYWELL

FED. MFG. CODE 91989

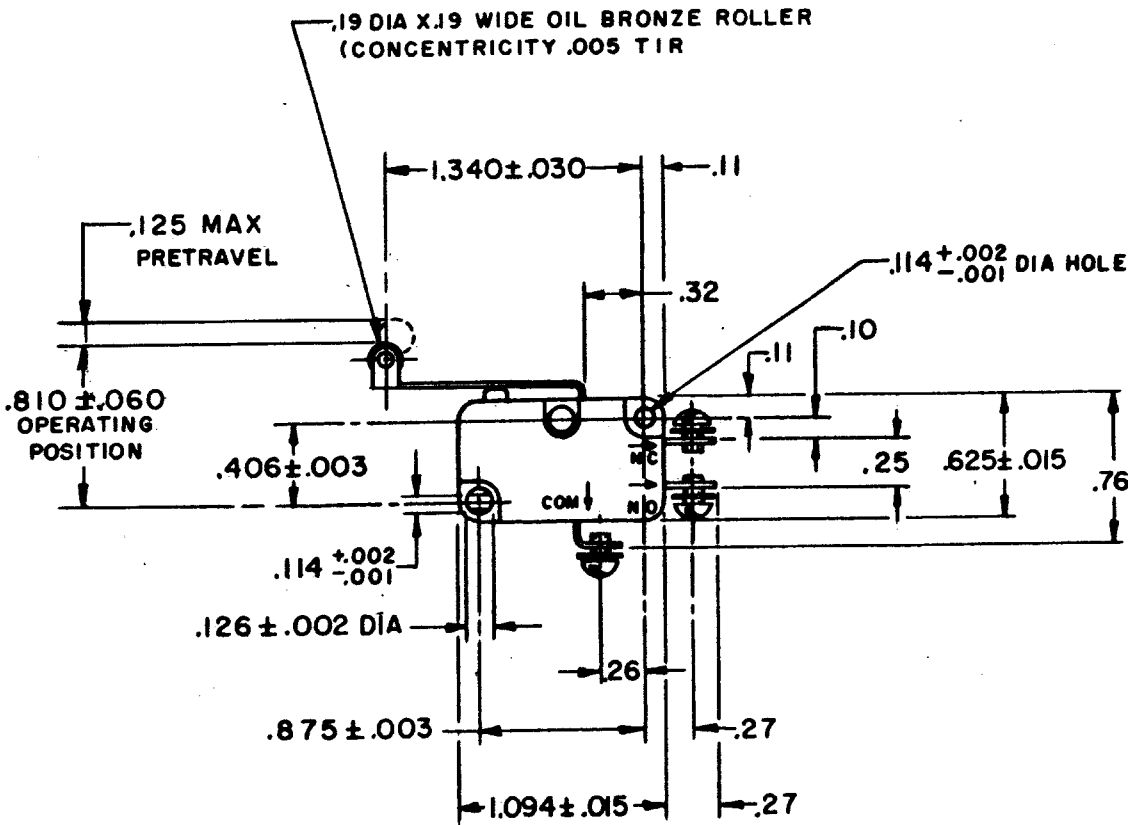
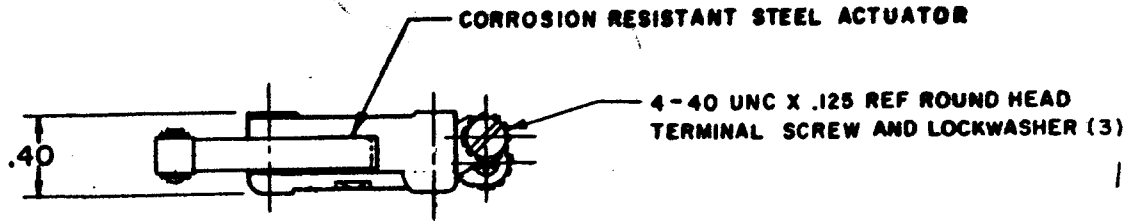
SWITCH-BASIC

CATALOG LISTING

V3L-III

CQ-B1100

M V3L-III
 DRAWING NUMBER
 ISSUE 5 0
 X 8
 REVISIONS
 A R12667 13 JUN 67
 B C024841 13 JUN 67
 C D028075 27 AUG 69
 D D028748
 E C0 32900 14 FEB 72
 F C0 59921 28 SEP 68
 G C0 78096 5 CS 14 NOV 94
 L S D 13 JUN 67
 M B F 13 JUNE 67



THIS DRAWING COVERS A PROPRIETARY ITEM AND IS THE PROPERTY OF MICRO SWITCH. A DIVISION OF HONEYWELL. THIS DRAWING IS NOT TO BE COPIED OR USED WITHOUT THE APPROVAL OF MICRO SWITCH.

CHARACTERISTICS

OPERATING FORCE — — — — 4 OZ MAX
 RELEASE FORCE — — — — 1/2 OZ MIN
 DIFFERENTIAL TRAVEL — — — .050 MAX
 OVERTRAVEL — — — — .085 MIN
 RELEASE TRAVEL — — — — .011 MIN

ELECTRICAL DATA

CONTACT ARRANGEMENT
S P D T

— L156 — 11A-1/3HP-125-250-277 VAC
 1/2A-125 VDC; 1/4A-250 VDC
 4A-125 VAC "L"



SCALE FULL

DO NOT SCALE PRINT

UNLESS OTHERWISE NOTED

DIMENSIONS ARE IN INCHES

TOLERANCES ARE:

ONE PLACE (.0) ±.030
 TWO PLACE (.001) ±.015
 THREE PLACE (.000) ±.005
 ANGLES ±

WEIGHT

FO-80378-1A